

EL[®]MARK

The Brand of Electricity

WATERPROOF FIXTURE STUCCHI



Technical data:

- Rated voltage: 230V / 50-60Hz
- Lamp holder: 1xE27+ backlight
- Operating temperature: -20° ÷ + 65°C
- Body: Made of shockproof resin material, UV-rays stabilized, rust and corrosion-free.
- Diffuser: Opal- polymethylmethacrylate (PMMA), with silicone rubber gasket
- Suitable for wall and ceiling installation
- Insulation class II
- Protection against dust and moisture: IP66

Features:

- Environmentally friendly - no mercury and lead
- No ultraviolet and infrared rays
- Resistant to shock and vibration stable body
- Easy Installation

Area of application:

- Suitable for outdoor use
- Additional, aesthetic, directional, architectural lighting for buildings, facades, fences' columns and other outdoor sites
- Places with high level of moisture



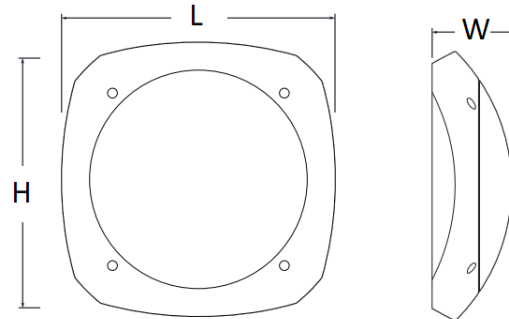
TECHNICAL SPECIFICATION

WATERPROOF

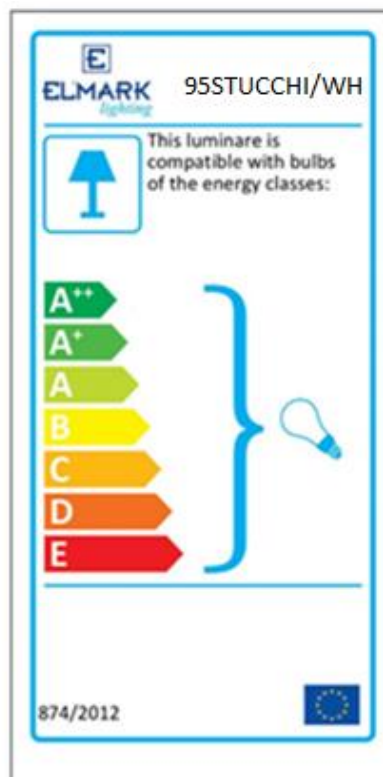
ELMARK®

The Brand of Electricity

Variants and Dimensions:



Catalogue number	Colour	Description	Size (mm)			Lamp holder	Packing/ Box (pcs)
			Diameter	Width	Height		
95STUCCHI/WH	White	BULKHEAD WITH BACKLIGHT	310	30	338	1xE27+ backlight	1/16
95STUCCHI/BL	Black	BULKHEAD WITH BACKLIGHT	310	30	338	1xE27+ backlight	1/16



EN 55015 • EN 61000-3-2 • EN 61000-3-3 • EN 61547 • EN 60598-1 • EN 60598-2-2 •

CE RoHS COMPLIANT

www.elmarkholding.eu